

**BIDDING FOR THE SUPPLY, DELIVERY, AND INSTALLATION OF  
FIVE-ROOM PREFABRICATED BARRACKS**

**BID BULLETIN NO. PB 2019-001**

1. This bid bulletin reflects the revised schedule relative to the Bidding for the Supply, Delivery, and Installation of Five-Room Prefabricated Barracks. This revised timetable aims to provide the prospective bidders ample time to undertake due diligence and prepare their bids:

No.	ACTIVITIES	DATE/SCHEDULE (2019)
1	Pre-Procurement Conference	February 19
2	Posting / Publication (Website, PhilGEPS, BCDA Premises, Newspaper)	March 06-12
3	Issuance of Bid Documents	March 06 to April 10 @ 10:00AM
4	<b>Pre-Bid Conference</b>	<b>March 14 @ 10:00 AM</b>
5	Deadline for Request for Clarification, if any	March 18 @ 5:00 PM
6	Last Day of Issuance of Bid Bulletin, if any	March 20
7	<b>Deadline for Submission (First Stage):</b>  <ul style="list-style-type: none"> <li>● Eligibility Requirements</li> <li>● Financial Proposal</li> </ul>	<b>April 10 @ 10:00 AM</b>
8	<b>Opening of the following:</b>  <ul style="list-style-type: none"> <li>● Eligibility Requirements</li> <li>● Financial Proposal</li> </ul>	<b>April 10 @ 11:00 AM</b>
9	Bid Evaluation (TWG's Detailed Evaluation of the Submitted Bids)	April 11
10	Sending of Letter to the Eligible Bidder including the Revised Technical Specifications	April 15
11	Post-Qualification on the Bidder with LCB or succeeding LCB (if any)	April 17
12	Deliberation by BAC of Results of Post qualification	April 19
13	Issuance of BAC's Recommendation (based on the Results of Post-Qualification)	On or before April 23
14	Approval of BAC Resolution and Issuance of Notice of Award*	On or before April 26
15	Contract Signing and Issuance of Notice to Proceed	On or before May 3

*\*Subject to change*

The above schedule amends the posted schedule in the BDS accordingly.



## 2. Clarifications

- a. The bidders must be registered with PhilGEPS under Platinum Membership, otherwise the bidders will be rated failed which shall result in declaring them as “ineligible”.
- b. The bid documents can be accessed from the PhilGEPS and BCDA websites.
- c. The necessary bid bulletin shall be posted in PhilGEPS and BCDA websites on **06 March 2019 (Tue)**. However, only those who purchased the bidding documents are entitled to directly receive a copy of the Bid Bulletin by email.
- d. The bidders have to purchase the bid documents before they can be allowed to submit their bids. They can still purchase the bid document until the day of submission.
- e. The computation of the bid security shall be based on the Approved Budget for the Contract (ABC).
- f. The bidders may submit a notarized Bid Securing Declaration in lieu of other forms of bid security. It is important to note, however, that although the Bid Securing Declaration does not require cash, its enforcement shall include automatic blacklisting and payment of certain fines in the event that the bidder violates any of the conditions set forth in the bidding documents.
- g. The bid should not be more than the ABC, otherwise the bidder will be disqualified.
- h. NFCC Computation shall be based on the audited Financial Statements for the year 2017 using the computation provided in paragraph 5.5 of the Instruction to Bidders, and should be at least equivalent to the ABC.
- i. The bidders are requested to use tabs in compiling their bid documents for quick and easy identification and verification.

## 3. Reminders from BAC

- a. BCDA adheres to the “No-Contact Rule”. All clarifications shall be made in writing and addressed to the BAC-G Secretariat. **Deadline for Clarification is at 5:00 PM on 18 March 2019 (Mon)**.
- b. Visiting or calling the members of the BAC, the TWG, the Secretariat or anyone working for BCDA is not allowed and will not be entertained.
- c. Dates, in the absence of any qualifications, are meant to be calendar days. Calendar days include Saturdays, Sundays and Holidays.
- d. **The deadline for the submission of bids for the *Bidding for the Supply, Delivery, and Installation of Five-Room Prefabricated Barracks* is on 10 April 2019 (Wed)**



**at 10:00 AM** at the BCDA Central Receiving and Releasing Area (CRRA) located at the 2<sup>nd</sup> Floor Bonifacio Technology Center, 31<sup>st</sup> St. cor. 2<sup>nd</sup> Avenue, Bonifacio Global City, Taguig City. The computer system clock at the CRRA that is set to Philippine Standard Time (PhST) shall be used as reference in determining the time for the submission of bids. Hence, participating bidders are advised to synchronize their timepieces with the said computer system clock. **Late bids or those submitted after 10:00 AM of 10 April 2019 (Wed) shall not be accepted.**

- e. Bidders may submit their eligibility documents days ahead of the deadline for submission in order to avoid late submission of bids.
- f. **Bid opening shall be on 10 April 2019 (Wed) at 11:00 AM** at the BCDA Corporate Center, 2<sup>nd</sup> Floor Bonifacio Technology Center, 31<sup>st</sup> St. cor. 2<sup>nd</sup> Avenue, Bonifacio Global City, Taguig City. Bids will be opened in the presence of the Bidders. Although the bidders' attendance during the Opening of Bids is not compulsory, it is advised that bidders send their representative to assist the BAC and answer clarifications, if any.
- g. Each and every page of the Bid Form must be appropriately signed by the bidder or the bidder's authorized representative. The authorization should also be attached. Failure to do so shall be a ground for the rejection of the Bid.
- h. All licenses, permits and other required clearances should be valid at the time of the submission of bids, Post-Qualification Evaluation, and signing of the contract
- i. The BAC expects the bidders to exercise due diligence in going through the bidding documents so that they can prepare their bids intelligently.
- j. The following documents are required to be NOTARIZED, which should be duly sworn to and include complete information on the PTR No., MCLE No., Authority or Commission Number, etc.:
  - i. Omnibus Sworn Statement
  - ii. Bidder's Representative Authorization (as provided in Paragraph 2 of the Omnibus Sworn Statement )
  - iii. Bid Securing Declaration
- k. BCDA reserves the right to waive minor defects in forms and requirement as long as they do not affect the genuineness and authenticity of the documents submitted.
- l. BCDA reserves the right to accept or reject any bid, to annul the bidding process, and to reject all bids at any time prior to contract award, without thereby incurring any liability to the affected bidder or bidders.

**Please be reminded that all queries after the release of this Bid Bulletin will not be entertained.**

All provisions, conditions and statements in the bidding documents inconsistent with this Bid Bulletin are either modified or rendered ineffective, as the case may be.

**Issued on 20 March 2019.**

**BIDS AND AWARDS COMMITTEE FOR GOODS**



**BGEN CARLOS F QUITA (Ret)**  
Chairperson

UNCONTROLLED WHEN PRINTED OR E-MAILED

**TERMS OF REFERENCE**  
**PROCUREMENT OF DELIVERY AND INSTALLATION OF 5-ROOM**  
**PREFABRICATED BARRACKS**

**I. BACKGROUND INFORMATION**

- A. The 3<sup>RD</sup> Mechanized Infantry (Makatarungan) Battalion, Mechanized Infantry Division PA, has requested BCDA for a donation of materials and equipment with an estimated cost of P6.536 million to finance the further development and improvement of its newly-transferred headquarters in Sitio Pugo, Barangay Burgos, San Jose, Tarlac.
- B. BCDA however, only approved the donation of the 5-Room Prefabricated Barracks with an estimated amount of P1.487 million chargeable against the budget of Corporate Social Responsibility (CSR). The process for the procurement of the said barracks is through public bidding.
- C. The Approved Budget for the Contract (ABC) for the procurement of the delivery and installation of the 5-Room Prefabricated Barracks is **One Million Five Hundred Thousand Pesos (Php1,500,000.00)** inclusive of all applicable government taxes and fees broken down as follows:

<b>Particulars</b>	<b>Approved</b>
Lot 1: 5 Room Prefabricated Barracks	Php1,420,000.00
Lot 2: Construction Materials for Site Preparation	80,000.00
<b>TOTAL</b>	<b>Php1,500,000.00</b>

**II. ITEMS AND SPECIFICATIONS**

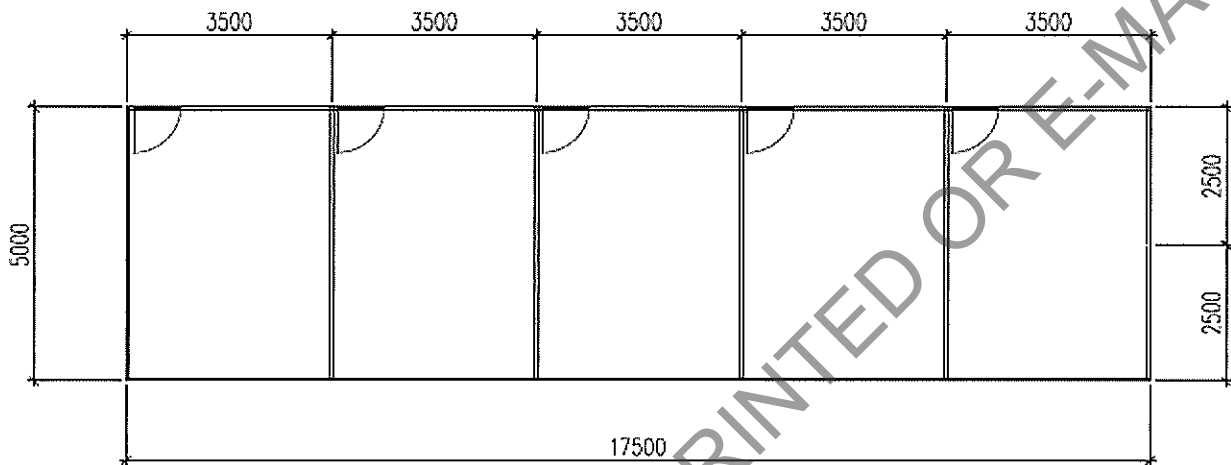
- A. Lot 1: 5-Room Prefabricated Barracks Standard (2 units) (minimum standard)
- Standard
  - K house: 3k x 10k x 3p
  - House Area: See Floor Plan Below
  - Includes:
    - PVC sliding windows
    - Swing door
    - Pre painted galvanized iron (PPGI) walls & roof
    - EPS partition wall
    - I beam steel structure
    - Bended color steel sheet edge close ups
    - Internal edge cover L-aluminum angle, external edge cover-PPGI sheets
    - Accessories: glass sealant, screws and bolts, touch up painting included

6

7

8

**FLOOR PLAN PER UNIT (mm)**



**B. Lot 2: Construction Materials for Site Preparation**

Particulars	Unit	Quantity
GI steel round deformed bar #10	pcs	30
GI steel round deformed bar #9	pcs	30
PVC orange pipe #4	pcs	3
PVC orange pipe #2	pcs	3
PVC orange elbow pipe #4	pcs	4
PVC orange elbow pipe #2	pcs	2
Reducer T-Bow #4x2	pcs	2
Solvent (250ml/can)	can	1
Wire #8	rolls	4
Cement	Bags	120
Sand and gravel (ready mix, riverwash sand, ¼ size gravel)	Load (12 cu m/load)	8
Hollow blocks (4x5x6)	pcs	500

**III. DELIVERY REQUIREMENT**

- A. The supplier must deliver the specified requirements for LOTS 1 and 2 at the Headquarters of the 3<sup>rd</sup> Mechanized Infantry (Makatarungan) Battalion, Mechanized Infantry Division, PA in Barangay Burgos, San Jose Tarlac.
- B. The end-user shall conduct inspection prior to the acceptance.
- C. Only delivered and accepted materials shall be paid.

h. 7

8

**IV. TERMS OF PAYMENT**

Accepted deliveries shall be paid within thirty (30) days from submission of billing.

**V. MISCELLANEOUS**

BCDA reserves the right to accept or reject proposals that do not offer the required goods as provided for in this TOR, to waive any defect or informality thereon or minor deviations which do not affect the substance and validity of the proposals, or to annul the selection process and reject the bid/s at any time prior to award, without thereby incurring any liability to the affected proponents.

UNCONTROLLED WHEN PRINTED OR E-MAILED

9 7

8